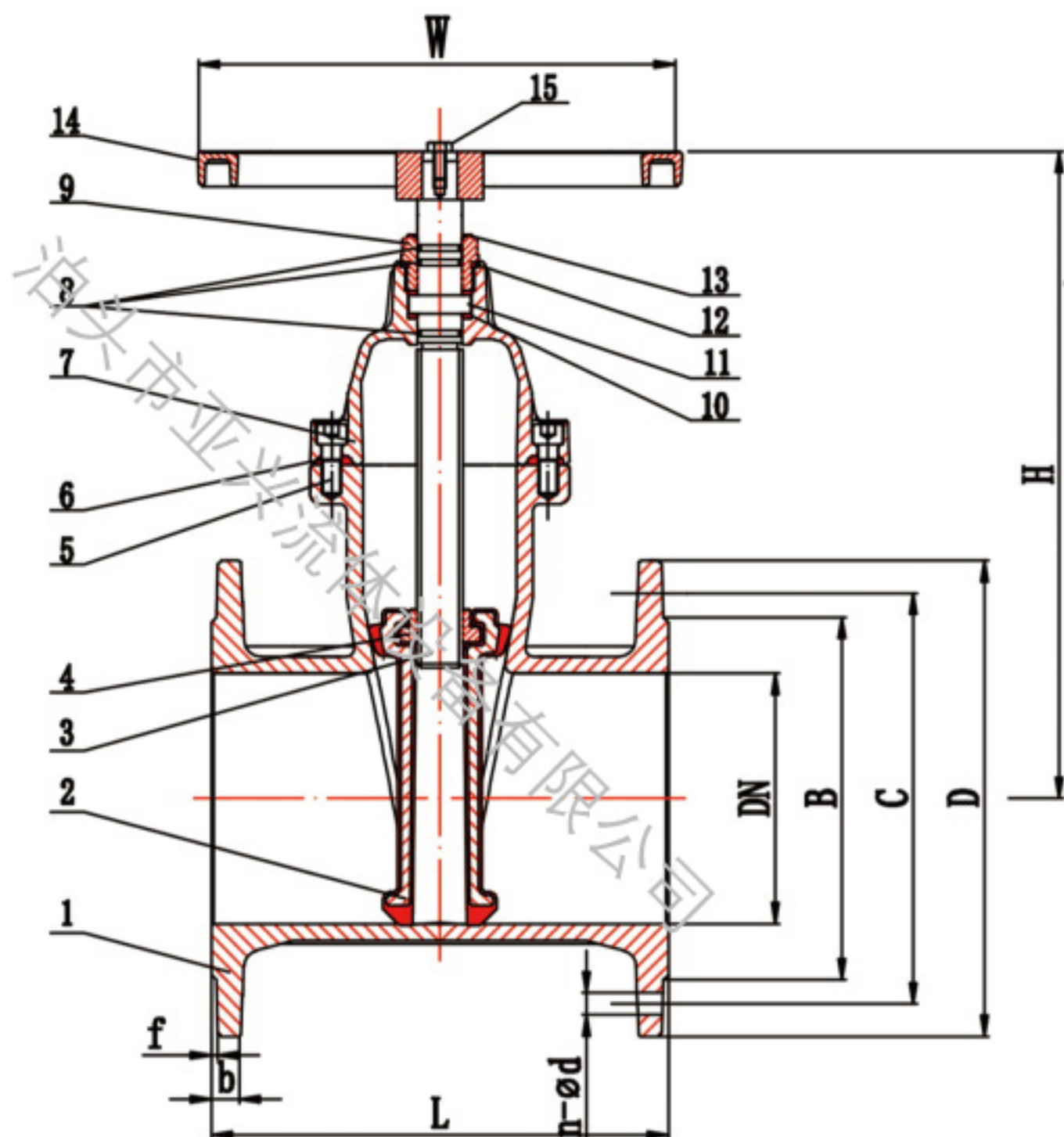


GATE VALVE

RESILIENT SEATED GATE VALVE DIN3352 F4 WITH TOP BRASS NUT DN40-DN300



Part & Materials		
NO	Part	Material
1	Body	Ductile Iron GGG50
2	Wedge	Ductile Iron GGG50 +EPDM
3	Stem	SS420
4	Stem Nut	Brass
5	Bolts	CS Gr 8.8
6	Gasket	EPDM
7	Bonnet	Ductile Iron GGG50
8	O Ring	NBR
9	Bonnet Nut	Brass
10	PTFE Pad	PTFE
11	Thrust Washer	Brass
12	PTFE Pad	PTFE
13	Dust Cover	NBR
14	Hand Wheel/Cap	Ductile Iron GGG50
15	Bolts	A2-70

Technical Data		
NO	Description	Specification
1	Nominal Dia	DN40-DN300
2	Nominal Pressure	PN10&PN16
3	Valve Design Standard	DIN3352 F4
4	Face to Face Standard	EN558&ISO5752 Series-14
5	Flange Standard Conformity	DIN2533
6	Testing Standard	DIN3230
7	Epoxy Coating	Epoxy powder coating with minimum thickness of 250 microns inside and outside.
8	Testing Pressure	
	Shell Test	PN*1.5Times
	Sealing Test	PN*1.1Times
9	Working Temperature(Max)	120°C

DIMENSIONS (MM)

DN	L	D		C		B		n-d		b		f	w	H
		PN10	PN16	PN10	PN16	PN10	PN16	PN10	PN16	PN10	PN16			
DN40	140	150		110		84		4-19		18		3	160	190
DN50	150	165		125		99		4-19		19		3	160	205
DN65	170	185		145		119		4-19		19		3	160	225
DN80	180	200		160		133		4-19	8-19	19		3	180	250
DN100	190	220		180		154		8-19		19		3	200	285
DN125	200	250		210		184		8-19		19		3	250	330
DN150	210	285		240		210		8-23		19		3	250	375
DN200	230	340		295		265		8-23	12-23	20		3	300	480
DN250	250	405		350	355	319		12-23	12-28	22		3	330	590
DN300	270	460		400	410	370		12-23	12-28	24.5		4	380	650

Yaxing product specifications in this catalog are for reference only. Yaxing reserves the rights to change without prior notice.