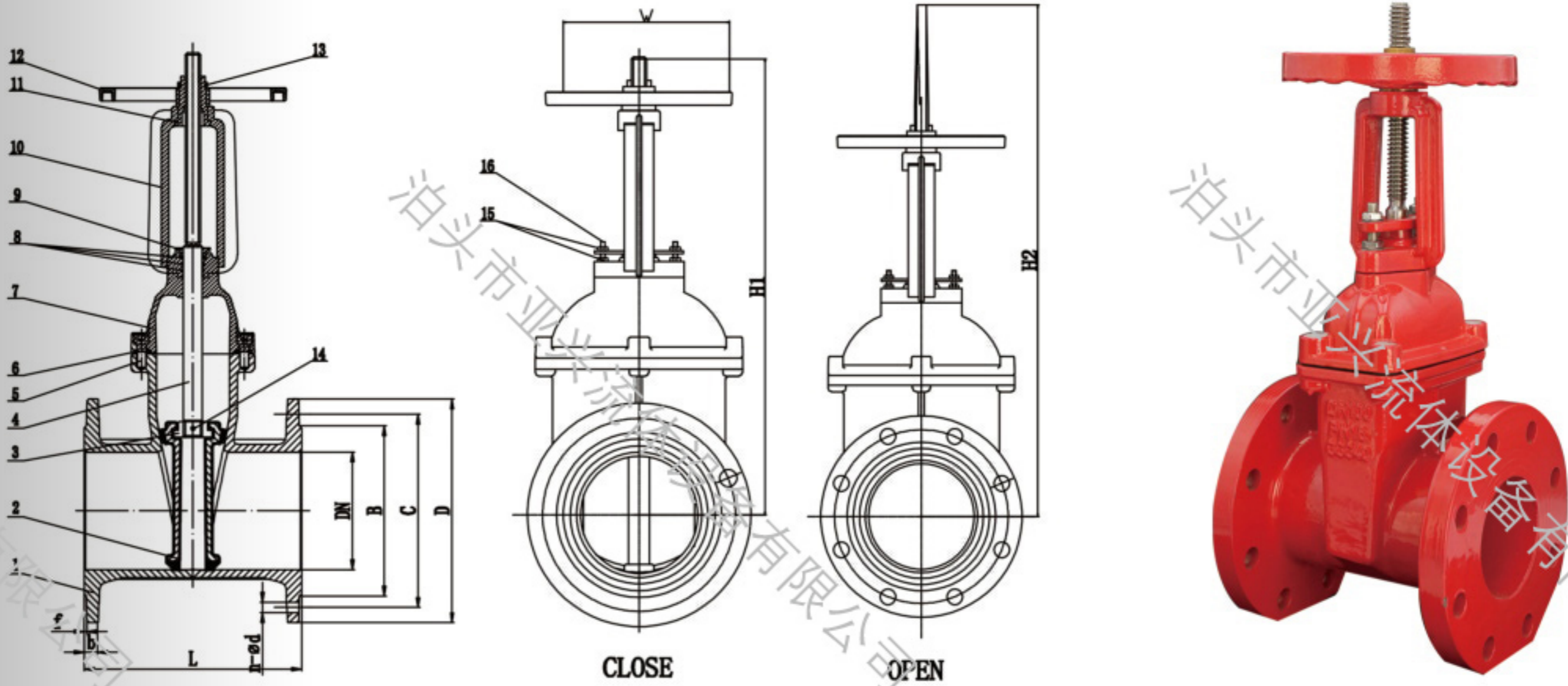


RISING STEM RESILIENT SEATED GATE VALVE BS5163 DN40-DN600



Part & Materials		
NO	Part	Material
1	Body	Ductile Iron GGG50
2	Wedge	Ductile Iron GGG50+EPDM
3	Wedge Nut	DI/Brass
4	Stem	SS420
5	Bolts	CS Gr 8.8
6	Gasket	EPDM
7	Bonnet	Ductile Iron GGG50
8	O Ring	EPDM
9	Gland	Ductile Iron GGG50
10	Yoke	Ductile Iron GGG50
11	Stem Nut	Brass
12	Handwheel	Ductile Iron GGG50
13	Lock nut	Carbon Steel
14	Pin	Carbon Steel
15	Nuts	CS/SS
16	Bolts	CS/SS

Technical Data		
NO	Description	Specification
1	Nominal Dia	DN40-DN600
2	Nominal Pressure	PN10&PN16
3	Valve Design Standard	BS5163
4	Face to Face Standard	EN558&ISO5752 Series-3
5	Flange Standard Conformity	EN1092-2
6	Testing Standard	EN12266-1
7	Epoxy Coating	Epoxy powder coating with minimum thickness of 250 microns inside and outside.
8	Testing Pressure	
	Shell Test	PN*1.5Times
	Sealing Test	PN*1.1Times
9	Working Temperature(Max)	120°C

DIMENSIONS (MM)

DN	L	D		C		B		n-d		b		f	w	H1	H2
		PN10	PN16	PN10	PN16	PN10	PN16	PN10	PN16	PN10	PN16				
DN40	165	150		110		84		4-19		18		3	160	300	350
DN50	178	165		125		99		4-19		19		3	160	315	365
DN65	190	185		145		119		4-19		19		3	160	335	400
DN80	203	200		160		133		4-19	8-19	19		3	180	390	470
DN100	229	220		180		154		8-19		19		3	200	425	525
DN125	254	250		210		184		8-19		19		3	250	535	660
DN150	267	285		240		210		8-23		19		3	250	575	725
DN200	292	340		295		265		8-23	12-23	20		3	300	730	930
DN250	330	405		350	355	319		12-23	12-28	22		3	330	950	1200
DN300	356	460		400	410	370		12-23	12-28	24.5		4	380	1010	1310
DN350	381	520		460	470	429		16-23	16-28	26.5		4	490	1305	1655
DN400	406	580		515	525	480		16-28	16-31	28		4	490	1385	1785
DN450	432	640		565	585	530	548	20-28	20-31	30		4	490	1455	1905
DN500	457	670	715	620	650	582	609	20-28	20-34	26.5	31.5	4	590	1695	2195
DN600	508	780	840	725	770	682	720	20-31	20-37	30	36	5	590	1875	2475

Yaxing product specifications in this catalog are for reference only. Yaxing reserves the rights to change without prior notice.