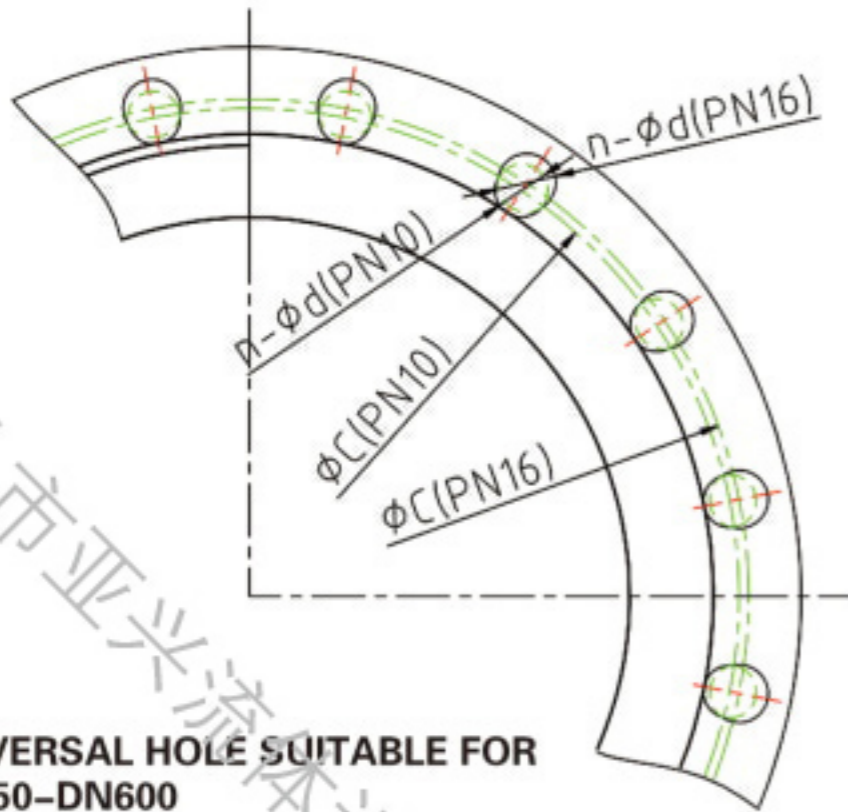
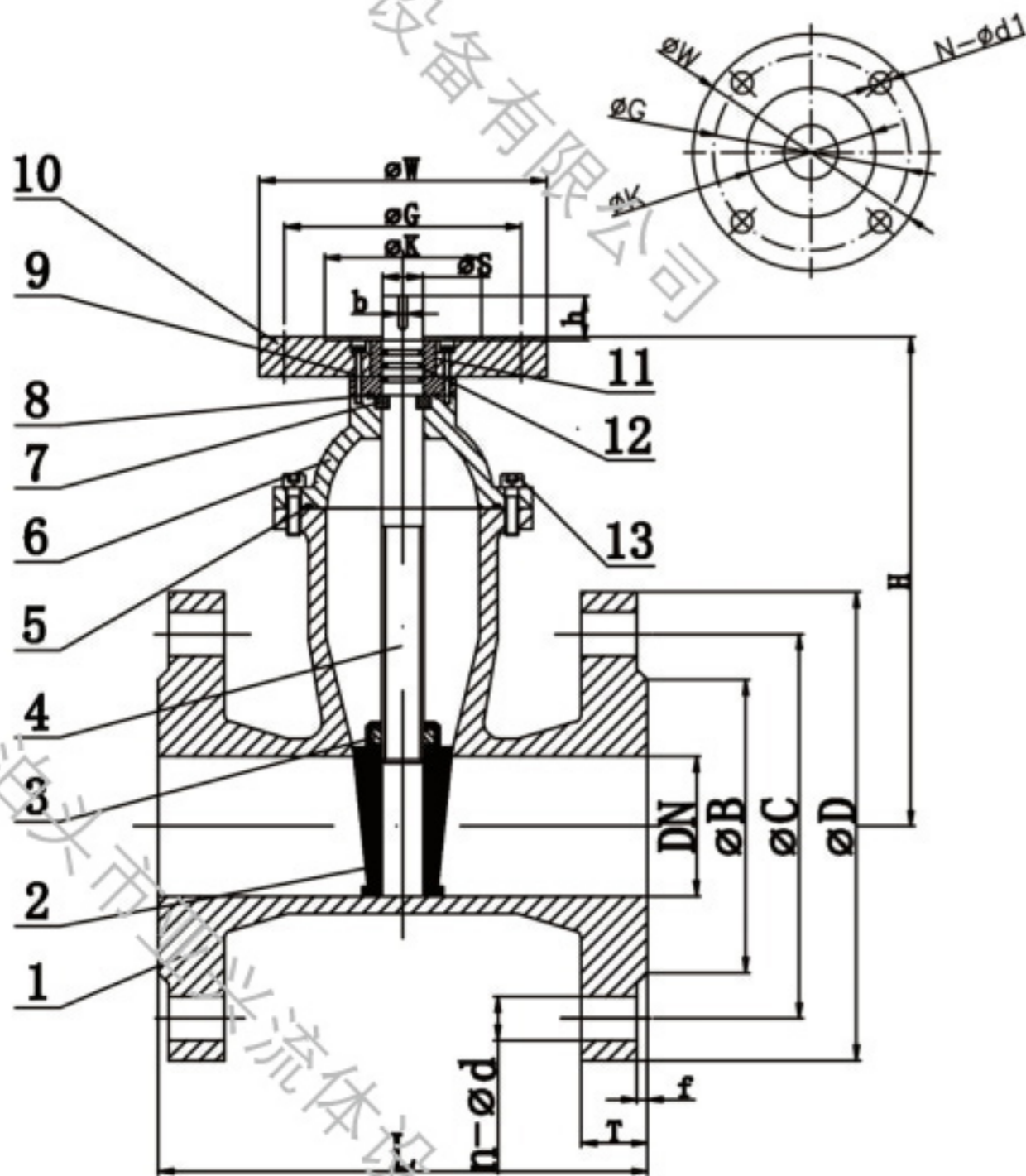


# GATE VALVE

## RESILIENT SEATED GATE VALVE WITH ISO TOP FLANGE BS5163 DN40-DN600



\*UNIVERSAL HOLE SUITABLE FOR  
DN250-DN600



Part & Materials		
NO	Part	Material
1	Body	Ductile Iron GGG50
2	Wedge	Ductile Iron GGG50 +EPDM
3	Stem	SS420
4	Stem Nut	Brass
5	Gasket	EPDM
6	Bonnet	Ductile Iron GGG50
7	Locating Ring	Brass
8	O Ring	EPDM
9	Bolts	CS Gr 8.8
10	Flanged	Ductile Iron GGG50
11	Gland	Ductile Iron GGG50
12	O Ring	EPDM
13	Bolts	CS Gr 8.8

Technical Data		
NO	Description	Specification
1	Nominal Dia	DN40-DN600
2	Nominal Pressure	PN10&PN16
3	Valve Design Standard	BS5163
4	Face to Face Standard	EN558&ISO5752 Series-3
5	Flange Standard Conformity	EN1092-2
6	Testing Standard	EN12266-1
	Expoxy Coating	Epoxy powder coating with minimum thickness of 250 microns inside and outside.
Testing Pressure		
8	Shell Test	PN*1.5Times
	Sealing Test	PN*1.1Times
9	Working Temperature(Max)	120°C

DIMENSIONS (MM) \* THE MENTIONED TORQUE DO NOT INCLUDE ANY SAFETY FACTOR.

DN	L	D		C		B		n-d		T		f	Flange Type	W	G	N-d1	S	b	h	H	Torque	Turns	
		PN10	PN16	PN10	PN16	PN10	PN16	PN10	PN16	PN10	PN16												
DN40	165	150		110		84		4-19		18		3	F10	125	102	70	4-12	20	6	30	180	30	10
DN50	178	165		125		99		4-19		19		3	F10	125	102	70	4-12	20	6	30	190	30	13
DN65	190	185		145		119		4-19		19		3	F10	125	102	70	4-12	20	6	30	210	30	17
DN80	203	200		160		133		4-19	8-19	19		3	F10	125	102	70	4-12	20	6	30	230	40	20
DN100	229	220		180		154		8-19		19		3	F10	125	102	70	4-12	20	6	30	265	40	25
DN125	254	250		210		184		8-19		19		3	F10	125	102	70	4-12	20	6	30	305	60	21
DN150	267	285		240		210		8-23		19		3	F10	125	102	70	4-12	20	6	30	350	70	25
DN200	292	340		295		265		8-23	12-23	20		3	F10	130	102	70	4-12	20	6	30	445	80	34
DN250	330	405	350	355		319		12-23	12-28	22		3	F14	175	140	100	4-18	30	8	30	555	100	42
DN300	356	460	400	410		370		12-23	12-28	24.5		4	F14	175	140	100	4-18	30	8	30	615	120	50
DN350	381	520	460	470		429		16-23	16-28	26.5		4	F14	175	140	100	4-18	30	8	30	760	140	30
DN400	406	580	515	525		480		16-28	16-31	28		4	F14	175	140	100	4-18	30	8	30	840	160	34
DN450	432	640	565	585	530	548		20-28	20-31	30		4	F14	175	140	100	4-18	30	8	30	910	200	38
DN500	457	670	715	620	650	582	609	20-28	20-34	26.5	31.5	4	F16	210	165	130	4-22	40	12	40	990	280	42
DN600	508	780	840	725	770	682	720	20-31	20-37	30	36	5	F16	210	165	130	4-22	40	12	40	1170	290	50

Yaxing product specifications in this catalog are for reference only. Yaxing reserves the rights to change without prior notice.